

PRO82+ Power Supply Series

Your satisfaction, Our priority.

PRO 82+
raising standards



EPR425AWT-01
EPR525AWT-01
EPR625AWT-01

385W/425W/525W/625W

FEATURES

ATX12V v2.3 ready!

Compliant with the newest standard for desktop power supplies.

82PLUS ready!

82-88% efficiency @ 20-100% load. Compliant with 80 PLUS® BRONZE efficiency requirements.

CrossFireX certified

ENERMAX PRO82+ 425/525/625 CrossFireX™ EPR425AWT-01 / EPR525AWT-01 / EPR625AWT-01.

Certified by AMD for GAME! ready systems

The AMD team tests & validates all key features of a product before it can be communicated as AMD GAME! product. This includes hardware stability, interoperability and performance testing. *1

24/7 @ 40°C ready!

Non-Stop industrial class performance at 40°C/104°F ambient.

SpeedGuard

Advanced fuzzy logic 12cm fan speed control for optimal cooling and minimum noise. (Patented)

AirGuard

Patented air-inlet with optimal aero-dynamical design reducing noisy air turbulences.

DXD ready!

For PCI Express 2.0 / DXD next generation graphic cards with 6+2P (8P) PCI-E connectors. *1

SafeGuard

Industry-leading sextuple protection circuitry of OCP, OVP, UVP, OPP, OTP & SCP protects your system.

GAMING ready!

ATX12V v2.3 support for latest Intel® Core 2 Duo™/Quad™/Extreme™, and AMD® Athlon™ 64X2/X4 & Phenom™ X3/X4 and SLI™ or CrossFireX™. *2

TRIPLE 12V rails

The best rail design for this PSU class for maximum safety and compatibility. *3

100% JAPAN Capacitors

Highest components standards for maximum durability and stability.

WORLD ready!

100-240VAC in with automatic adjustment and active PFC for global usage.

EMC ready!

Full-scale electromagnetic filtering protects your system against radiation interferences.(CE EMC EN61204 compliance)

*1 Available for 425/525/625W model

*2 385W support single VGA card

*3 385W with dual 12V rails



GAMING ready!



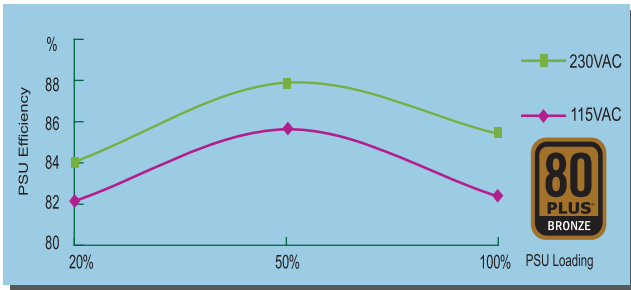
PRO 82+ <small>raising standards</small>				
	MODEL	CPU	CORE	GRAPHICS
	385W	DUAL	QUAD	SINGLE
	425W	DUAL	QUAD	DUAL
	525W	DUAL	QUAD	TRIPLE
625W	DUAL	QUAD	QUAD	14

* Actual maximum support might vary by power consumption of connected components and is limited to DC output specifications.

82PLUS ready! (>84% @ 230VAC)



Leading efficiency standard & ECO design, certified.



AirGuard



Optimal aero-dynamical design reducing noisy air turbulences.(Patented)



100% Japanese Capacitors



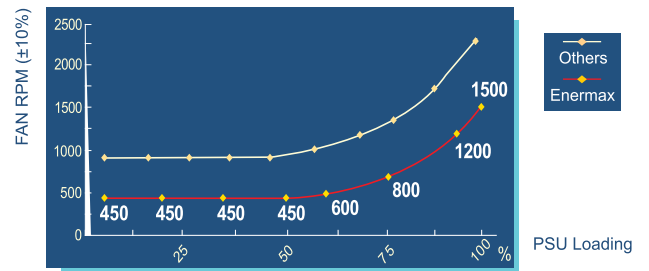
For maximum durability and stability.



SpeedGuard



Advanced fuzzy logic control for optimal cooling and minimum noise.(Patented)



SafeGuard



SafeGuard will turn PRO82+ off to protect itself and your system from damage.



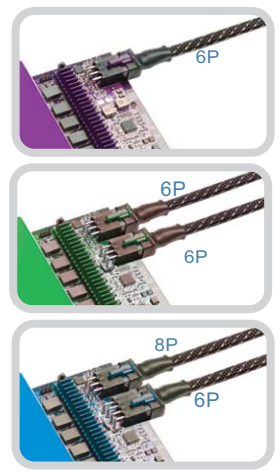
	+12V1	+12V2	+12V3	+3.3V	+5V	-12V	+5Vsb
OCP	yes	yes	yes	yes	yes	no	no
OPP	on 110-150% on maximum output						
SCP	yes	yes	yes	yes	yes	yes	yes
OVP	yes	yes	yes	yes	yes	no	no
UVP	yes	yes	yes	yes	yes	no	no
OTP	yes						

(OCP = Over Current Protection, OPP = Over Power P., SCP = Short Circuit P., OVP = Over Voltage P., UVP = Under Voltage P., OTP = Over Temperature P.)



We are

are You?

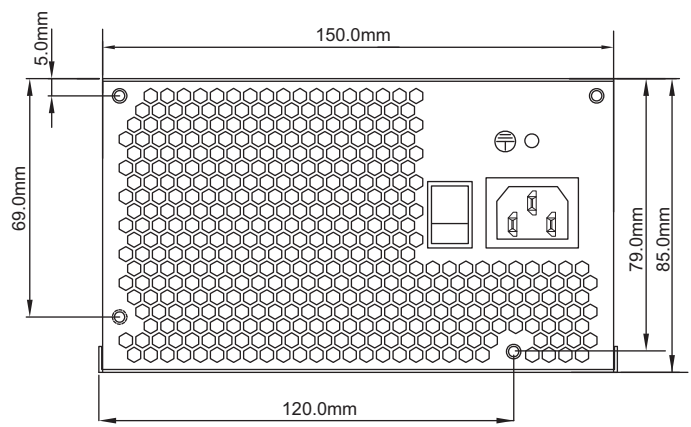
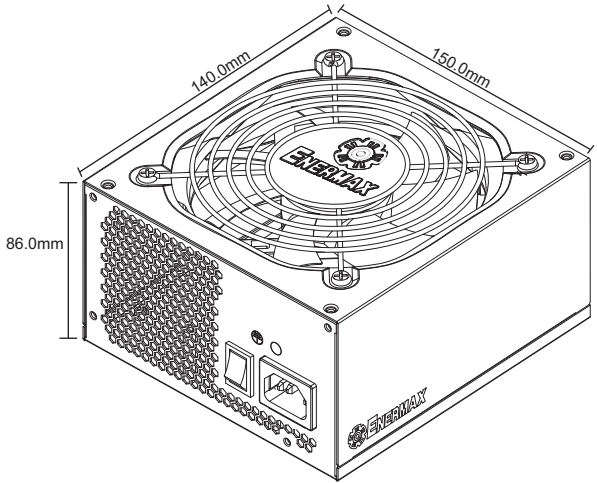


+12V RAIL DISTRIBUTION



Model	Powered			
	EPR385AWT	EPR425AWT	EPR525AWT	EPR625AWT
12V1	24P MB & 4+4P CPU			
12V2	1x 6P PCI-E 5x SATA 4x 4P Molex 1x FDD	1x 6+2P PCI-E 5x SATA	1x 6+2P PCI-E 1x 6P PCI-E 7x SATA	1x 6+2P PCI-E 1x 6P PCI-E 7x SATA
12V3		1x 6P PCI-E 4x 4P Molex 1x FDD	1x 6+2P PCI-E 6x 4P Molex 1x FDD	1x 6+2P PCI-E 1x 6P PCI-E 6x 4P Molex 1x FDD

DIMENSIONS



* 1x12cm two-ball bearing fan

CERTIFICATIONS & STANDARDS



Safety	 C E134014 US	 SAUART GEPRÜFT TYPE APPROVED	 R43028	 S&E	 AЯ46	
EMC		 Tested To Comply With FCC Standards FOR HOME OR OFFICE USE				











SPECIFICATIONS



Model Name	EPR385AWT-01	EPR425AWT-01	EPR525AWT-01	EPR625AWT-01				
AC Input Rating								
Input Voltage	100-240VAC, 50-60Hz, Active PFC							
Input Current	6-2.5A	6.7-3A	7.5-3.5A	9.5-4A				
DC Output Rating								
+3.3V	20A	110W	20A	120W	24A	140W	24A	140W
+5V	20A		20A		24A		24A	
+12V1	20A	360W (30A)	22A	396W (33A)	25A	480W (40A)	25A	600W (50A)
+12V2	20A		22A		25A		25A	
+12V3			22A		25A		25A	
-12V	0.6A	7.2W	0.6A	7.2W	0.6A	7.2W	0.6A	7.2W
+5Vsb	3A	15W	3A	15W	3A	15W	3A	15W
Total Power	385W		425W		525W		625W	
Peak Power	425W		470W		580W		690W	

CABLES & CONNECTORS



Connectors	Model	EPR385AWT-01	EPR425AWT-01	EPR525AWT-01	EPR625AWT-01
	Mainboard	24P (45cm)		24P (55cm)	
	+12V CPU	4+4P (45cm)		4+4P (55cm)	
	6+2P(8P) PCI-E 2.0	/		1 (45cm)	
	6P PCI-E 1.0			2 (50cm)	
	SATA	1 (45cm)		1 (50cm)	2 (50cm)
	SATA	5 (1 cable with 2 con.: 45/55cm) (1 cable with 3 con.: 45/55/65cm)		7 (1 cable with 3 con.: 45/55/65cm) (1 cable with 4 con.: 45/55/65/75cm)	
	4P Molex +FDD	4+1FDD (1 cable with 2 con.: 45/55cm) (1 cable with 3 con.: 45/55/65cm)		6+1FDD (1 cable with 3 con.: 45/55/65cm) (1 cable with 4 con.: 45/55/65/75cm)	
	Fan RPM (FM)	1 (45cm)			

©2008 ENERMAX Technology Corporation. All rights reserved. Specifications are subject to change without prior notice. Actual products and accessories may differ from illustrations. Omissions and printing errors excepted. Content of delivery might differ in different countries or areas. Some trademarks may be claimed as the property of others.

80 PLUS® is a brand and program run by Ecos Consulting. The 80 PLUS® logos are the trademarks of Ecos Consulting. All rights reserved.
©2007 Advanced Micro Devices, Inc., ATI, The ATI logo, CrossFireX, and Radeon are trademarks of Advanced Micro Devices, Inc.

